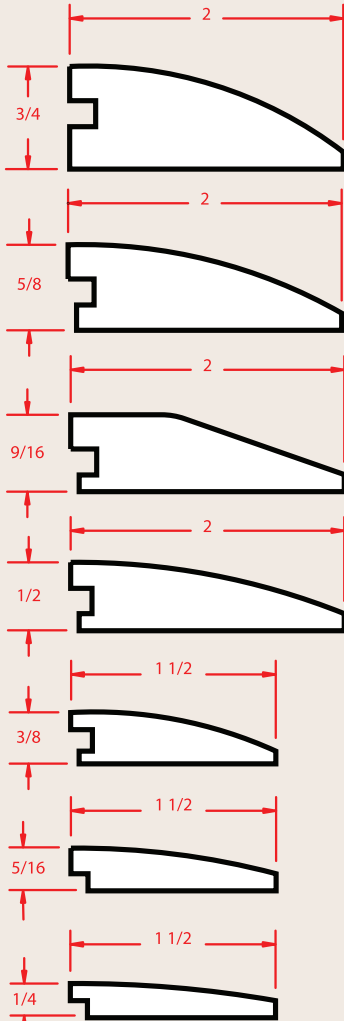
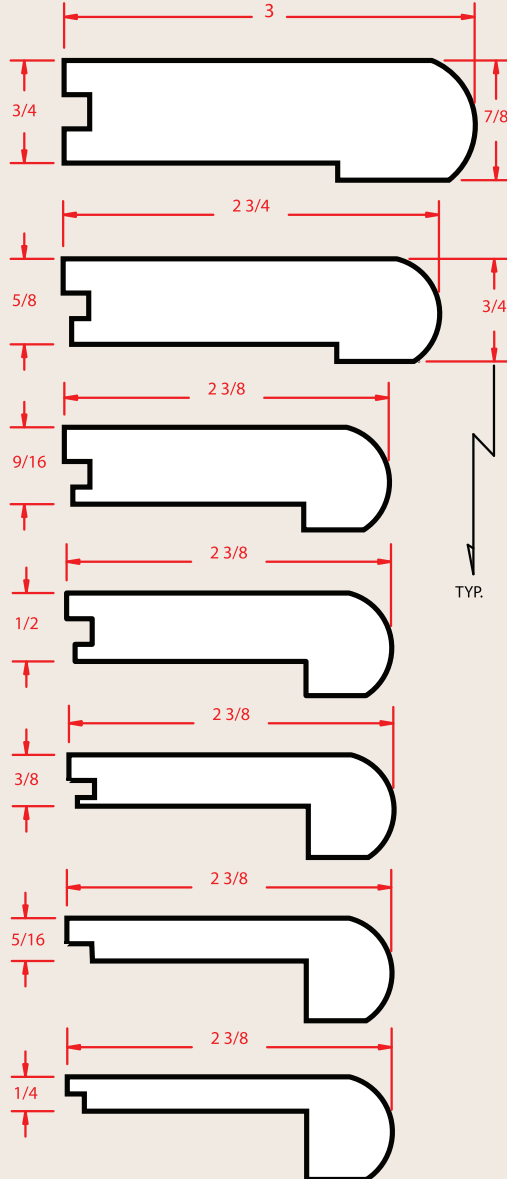


PROFILE REFERENCE SHEET

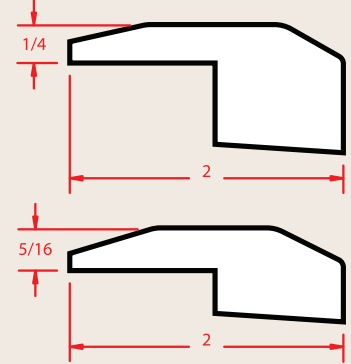
REDUCER



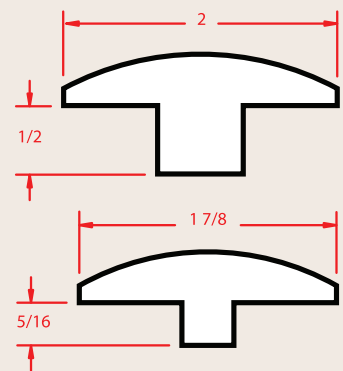
STAIRNOSE



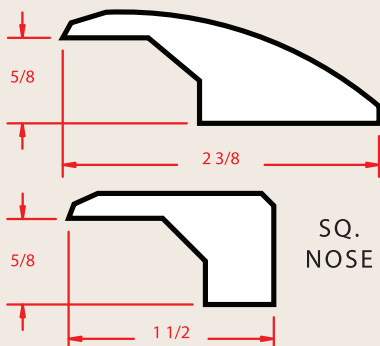
THRESHOLD



T-MOLDING

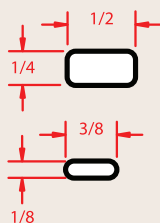


LAP REDUCER



SQ.
NOSE

SPLINE



QUARTER ROUND



BASEBOARD

